



DSP konstellationer

2014
Lkaa



ones,
aily
is
35 e



Real time DSP

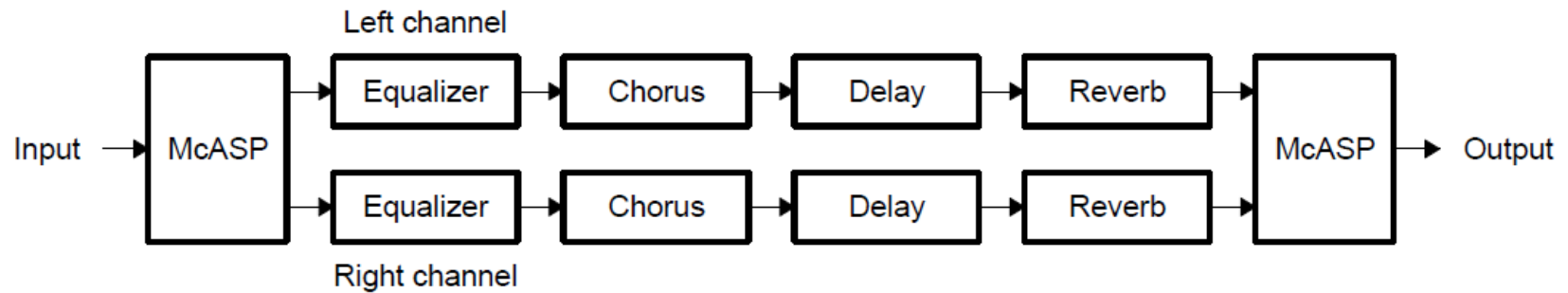


Figure 5. Application Block Diagram



Real time DSP bi-quad IIR filter

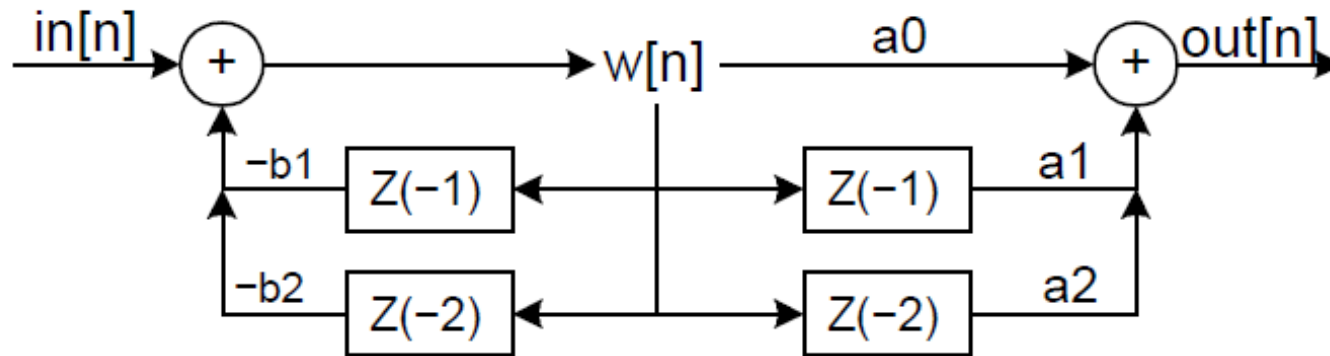


Figure 6. Equalizer Block Diagram

Real time DSP

Chorus Effect

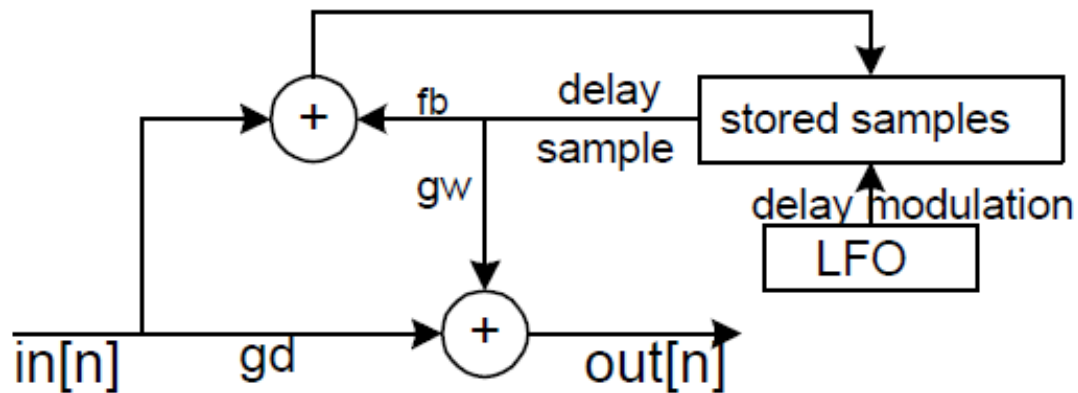


Figure 8. Chorus Effect Algorithm Block Diagram



Real time DSP

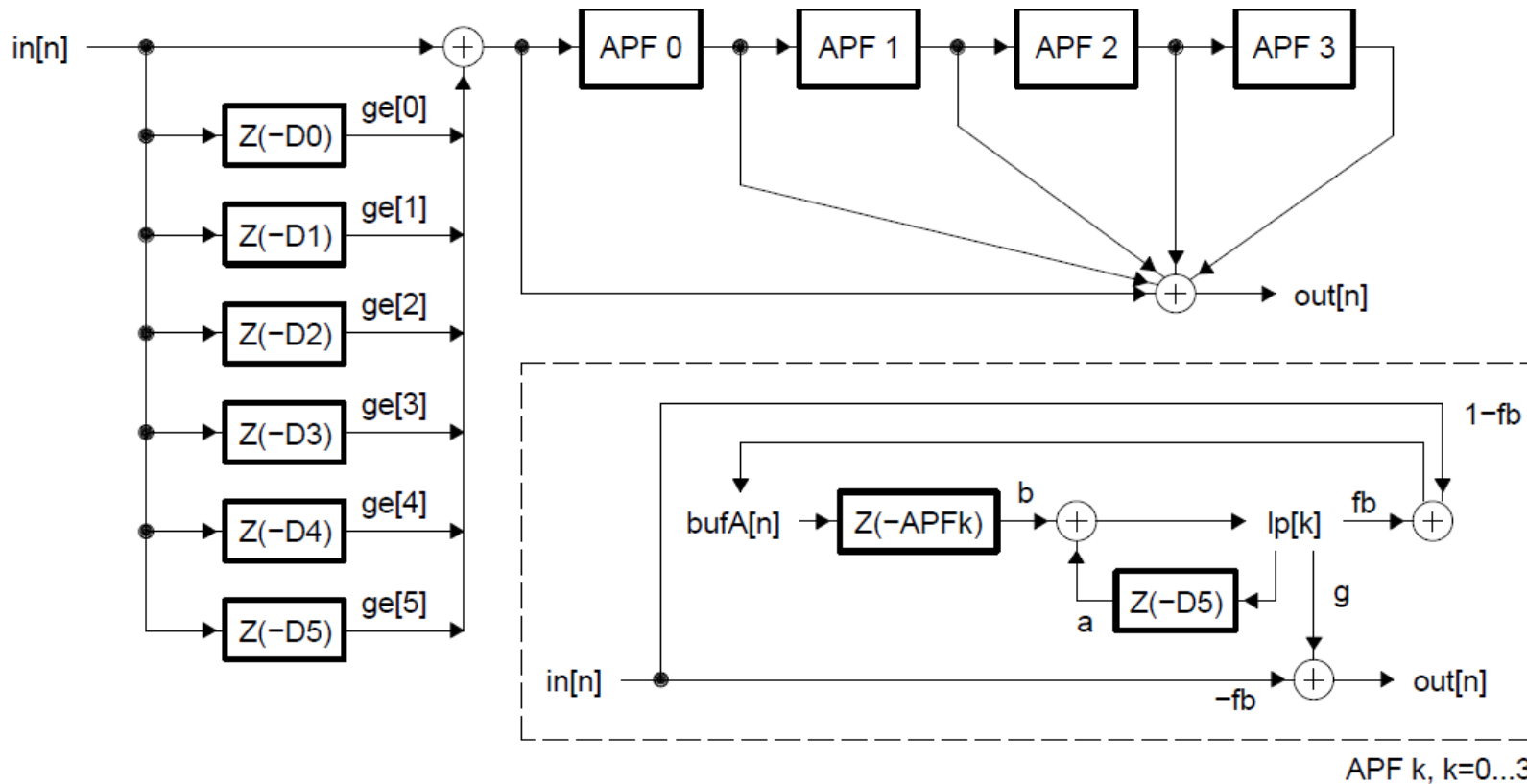


Figure 12. Reverb Effect Block Diagram