

Case tasks diagram for

Gruppe X – Site 1 & 2: Samme firma = samme domæne!

Dato: 21 april 2016

Username and passwords:

Hyper-V:
administrator
Password1

Servers:
administrator
Password1

LAN OLC Navi I eller II (check oversigtsdiagram):

Network: 192.168.13x.0/24

Gateway: 192.168.13x.1

DNS server: 172.16.4.77

HOT Data
DHCP service



"Internet"



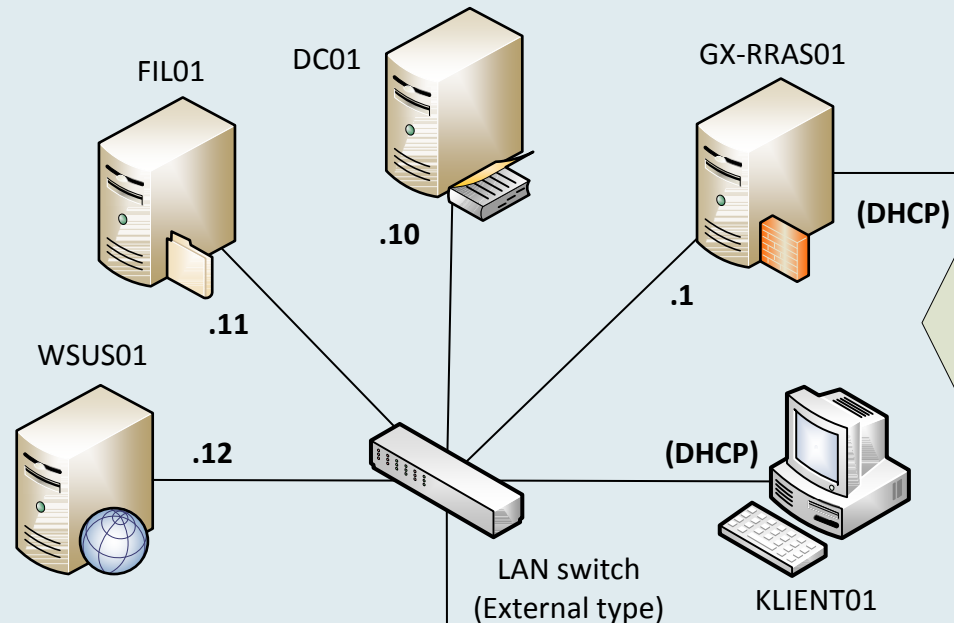
.1



WAN NIC (Expansion card #2)

Gruppe X's fysiske maskine med Microsoft Server2012 R2 Hyper-V

Site 1: Hyper-V Infrastruktur (Bygges først ... !)

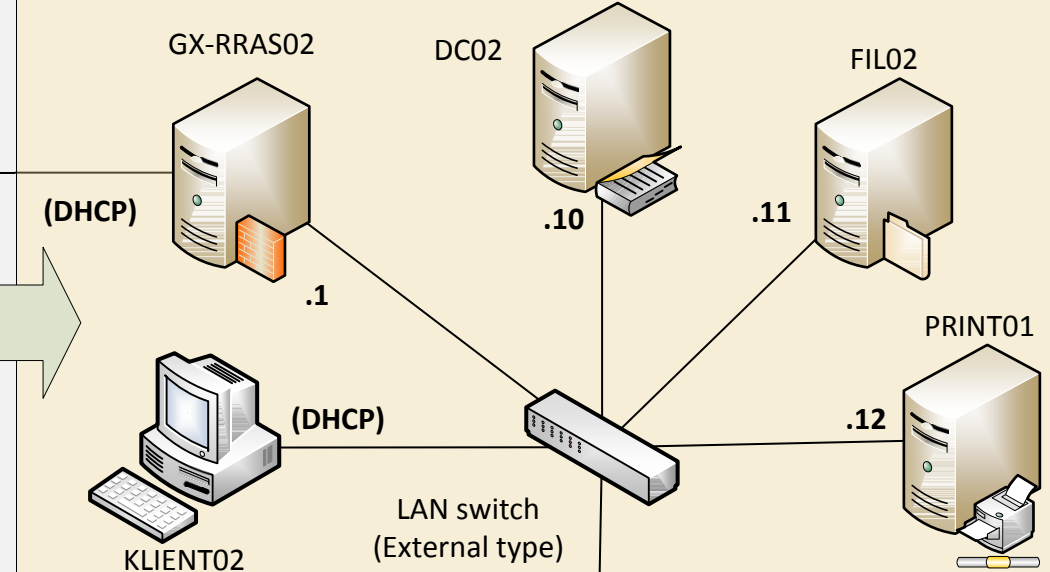


GX-HV01 Site 1 LAN:
Network: 192.168.58.0/24
Gateway: 192.168.58.1
DNS server: 192.168.58.10

LAN NIC (Expansion card #1)

Windows Site 1 management
from pc or Student laptop ...

Site 2: Hyper-V Infrastruktur (Bygges efter Site 1 ... !)



GX-HV01 Site 2 LAN:
Network: 192.168.59.0/24
Gateway: 192.168.59.1
DNS server: 192.168.59.10

Hyper-V NIC (Onboard)

Skærm, keyboard & mus på pc:
Hyper-V management

Windows Site 2 management
from pc or Student Laptop ...

WAN switch
(External type)

VPN Site-to-site Tunnel

LAN switch
(External type)

LAN switch
(External type)