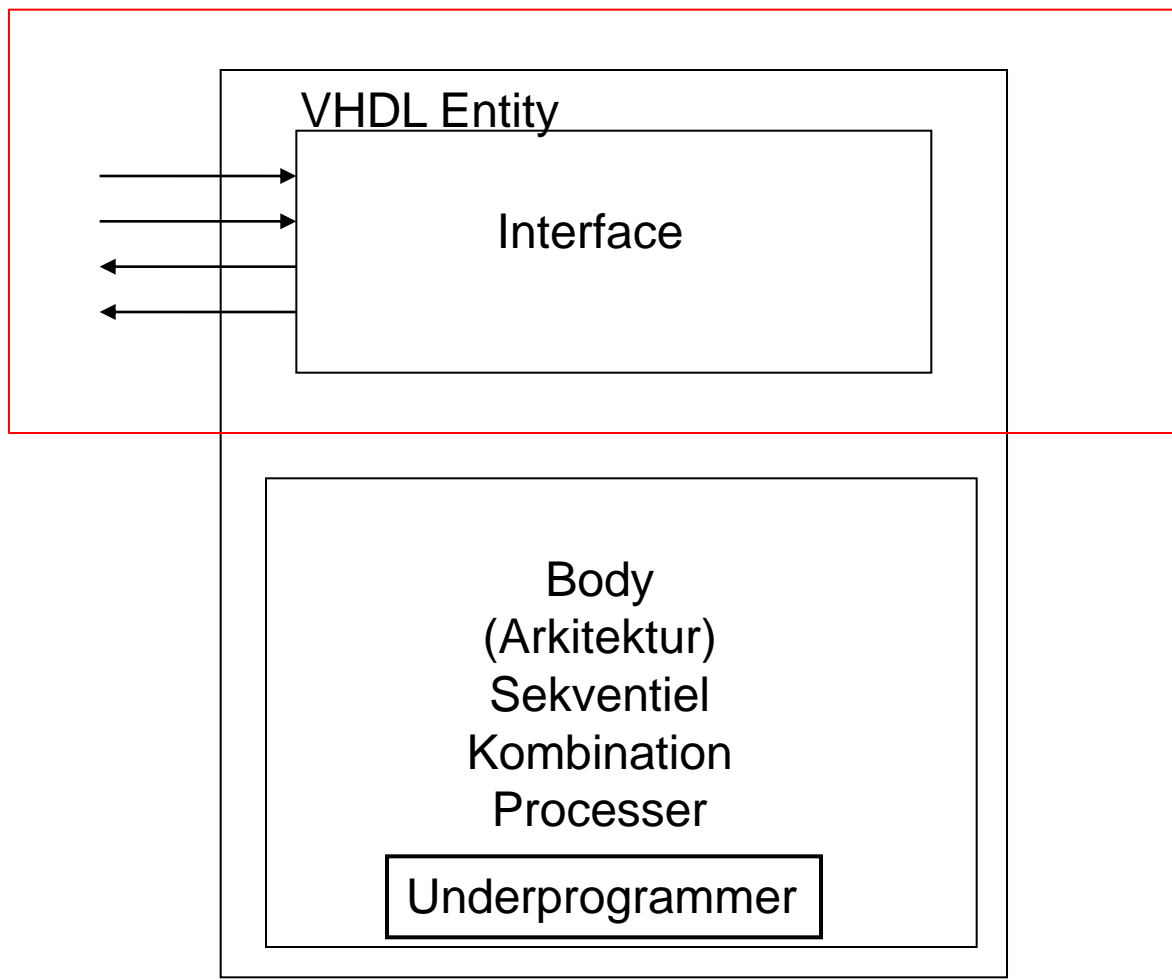


VHDL programmering H2

VHDL

- (**V**ery high speed Integrated circuits)
Hardware **D**escription **L**anguage
- IEEE standard 1076-1993 Den benytter vi!!
- Hvornår blev den frigivet som standard første gang??
- Ca. 1980!!

VHDL struktur



VHDL struktur

- ENTITY (enhed) ”Skal være det samme som projekt-navnet!!” Case sensitiv!!!
- VHDL kode skal starte biblioteker og derefter ”ENTITY” efterfulgt af (Projektnavnet)

VHDL kode

```

-- Quartus II VHDL Template
-- Configurable gate architecture
library ieee;use
ieee.std_logic_1164.all;
entity VHDL1 is
  port
  (
    i1 : in std_logic;
    i2 : in std_logic;
    o1 : out std_logic );
end VHDL1;
  
```

← TEXT

← Biblioteker

← Start på deklaration "ENTITY"

← Mode

← Definition på porte

← ENTITY slut!!

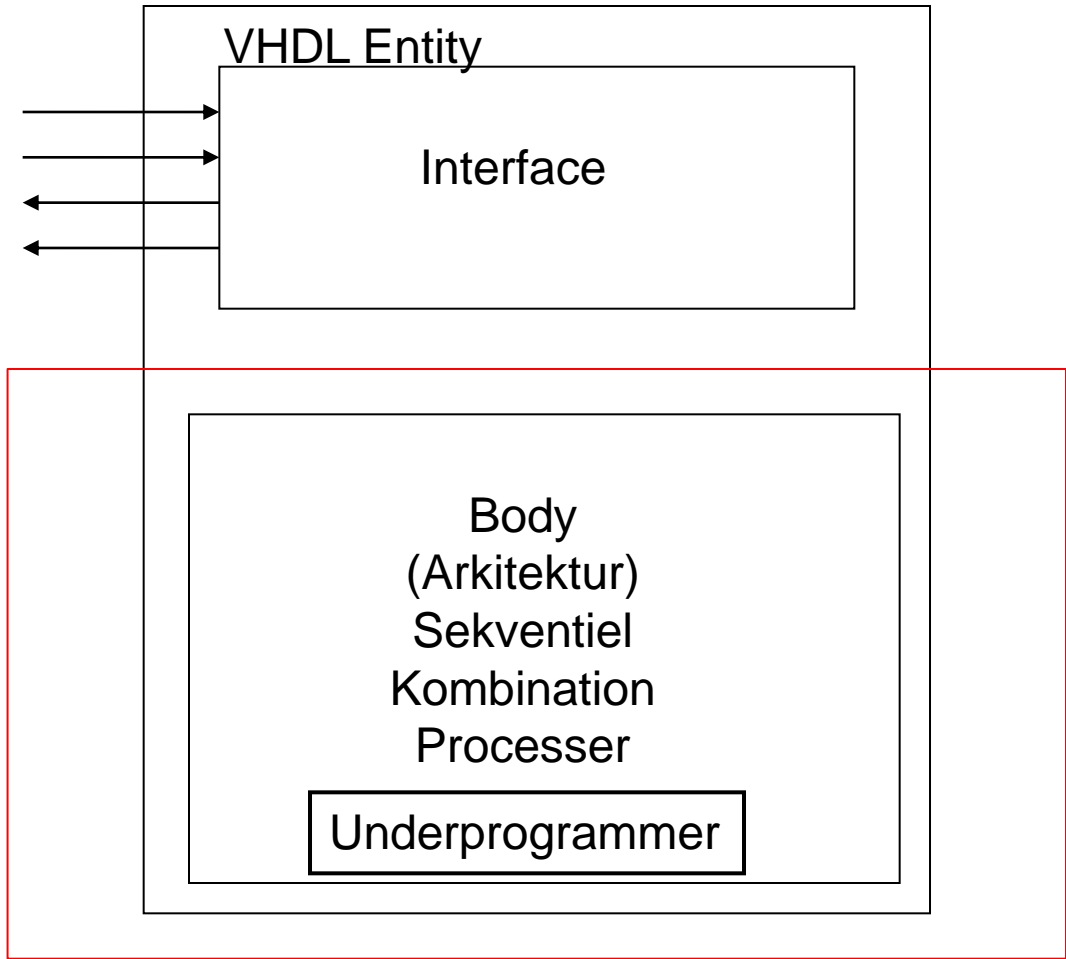
Porte

- **MODE**
 - IN: input signal
 - OUT: output signal
 - BUFFER: output der kan læses i VHDL koden
 - INOUT: både og

Type

- TYPE
 - *bit*: 0 og 1 værdier
 - *Bit_vector*: Kan eks. Være Bit_vector(0 to 7)
 - *Std_logic*, *std_ulogic*, *std_logic_vector*, *std_logic_ulogic*: Kan indtage 9 forskellige værdier!
Brug altid *std_logic* eller *std_logic_vector*!!!!
 - *Boolean*: false eller true
 - Integer: hele tal
 - *Real*: med komma
 - *Character*: Karakterer ikke tal værdier
 - *Time*: tid

VHDL struktur



Arkitektur

```
architecture and_gate of VHDL1 is
begin
    o1 <= i1 AND i2;
end and_gate;
```

Diagram illustrating the components of the VHDL architecture declaration:

- Entity**: Points to the entity name `VHDL1`.
- Navn**: Points to the architecture name `and_gate`.
- Logisk udtryk!**: Points to the logic expression `o1 <= i1 AND i2;`.

Arkitektur

```
architecture or_gate of VHDL1 is  
begin  
    o1 <= i1 OR i2;  
end or_gate;
```

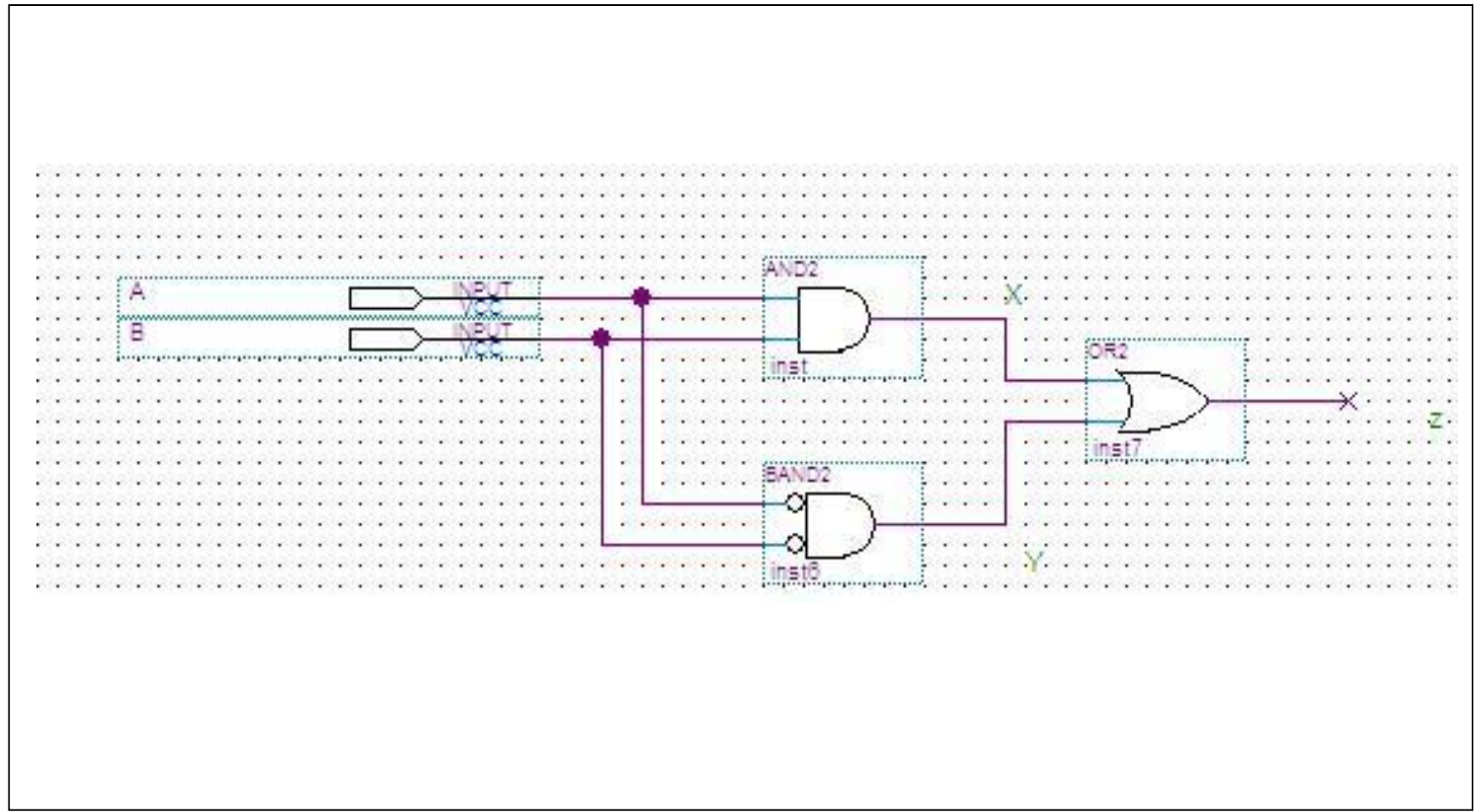
Arkitektur

```
architecture xor_gate of VHDL1 is  
begin  
    o1 <= i1 XOR i2;  
end xor_gate;
```

Arkitektur

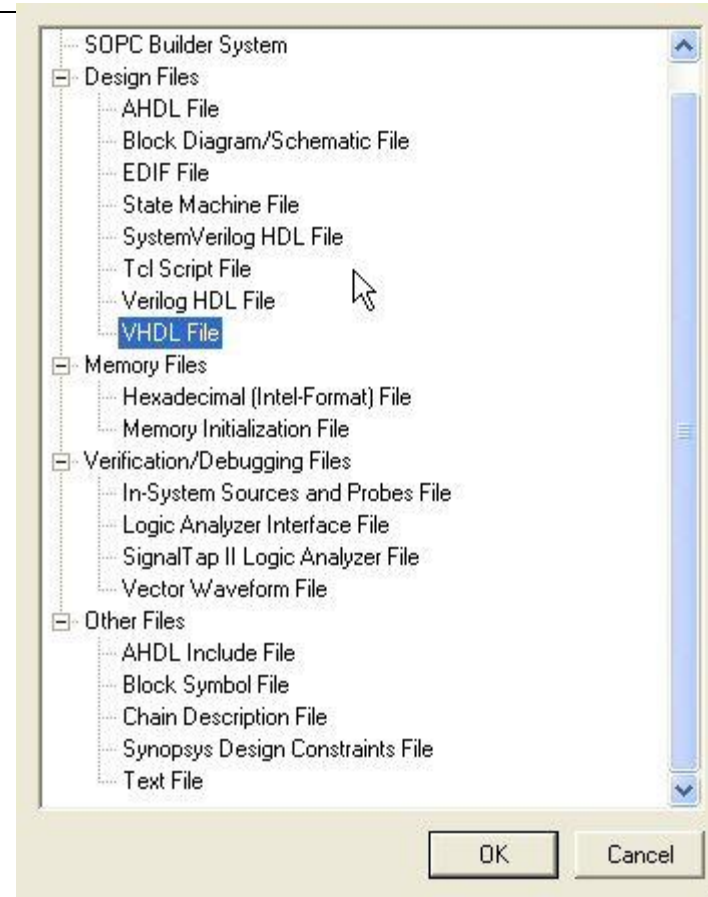
```
Entity VHDL1 is
  port: (A,B:in std-logic;
         Z: out std_logic);
End;
architecture Xnor of VHDL1 is
  signal X,Y: std_logic ← Interne signaler!!!
begin
  X <= A AND B;
  Y <= (not A) and (not B);
  Z <= X or Y
end Xnor;
```

Gates



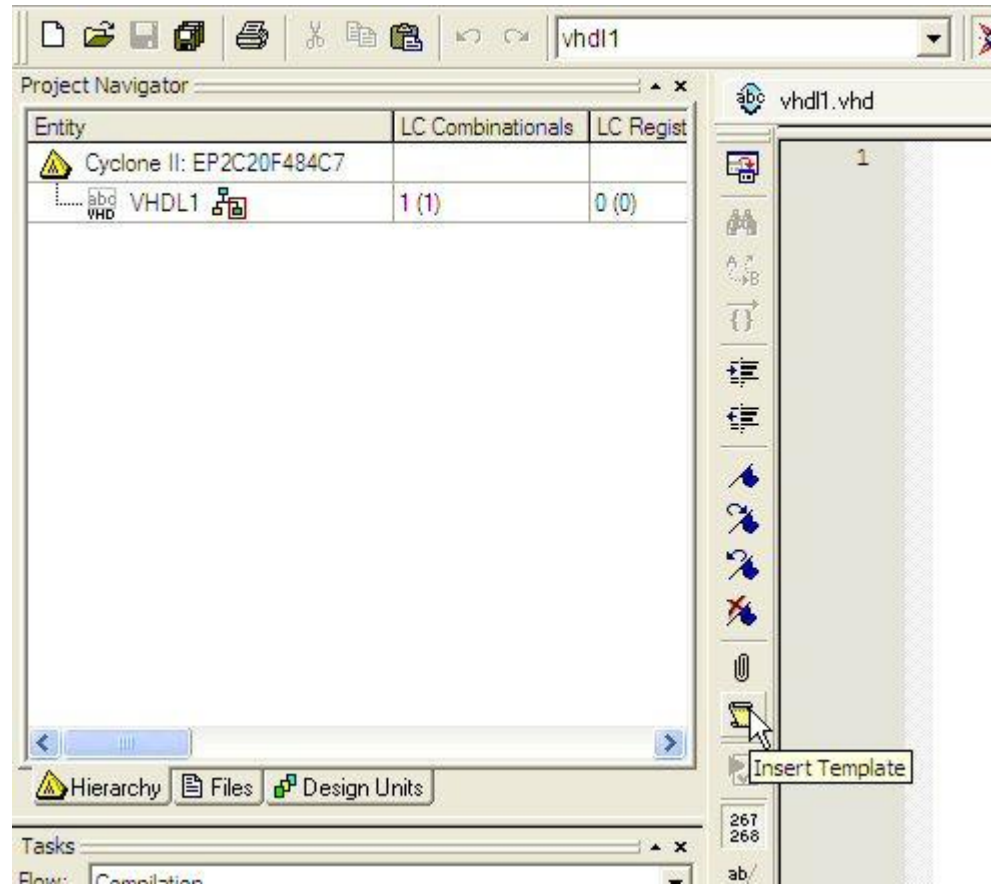
VHDL indtasting

- Tryk : "NEW"
- "VHDL File"



VHDL indtasting

- "Template"



VHDL indtasting

The screenshot shows the 'Insert Template' dialog in the Quartus II IDE. The left pane shows a tree view of language templates, with 'Configurable Gate Architecture' selected under 'VHDL' > 'Configurations' > 'Configuration Declarations'. The right pane shows the preview of the selected template, which is a VHDL code snippet for a configurable gate architecture. The code includes library declarations, entity declarations, and three possible architectures: 'and_gate' and 'or_gate'.

```

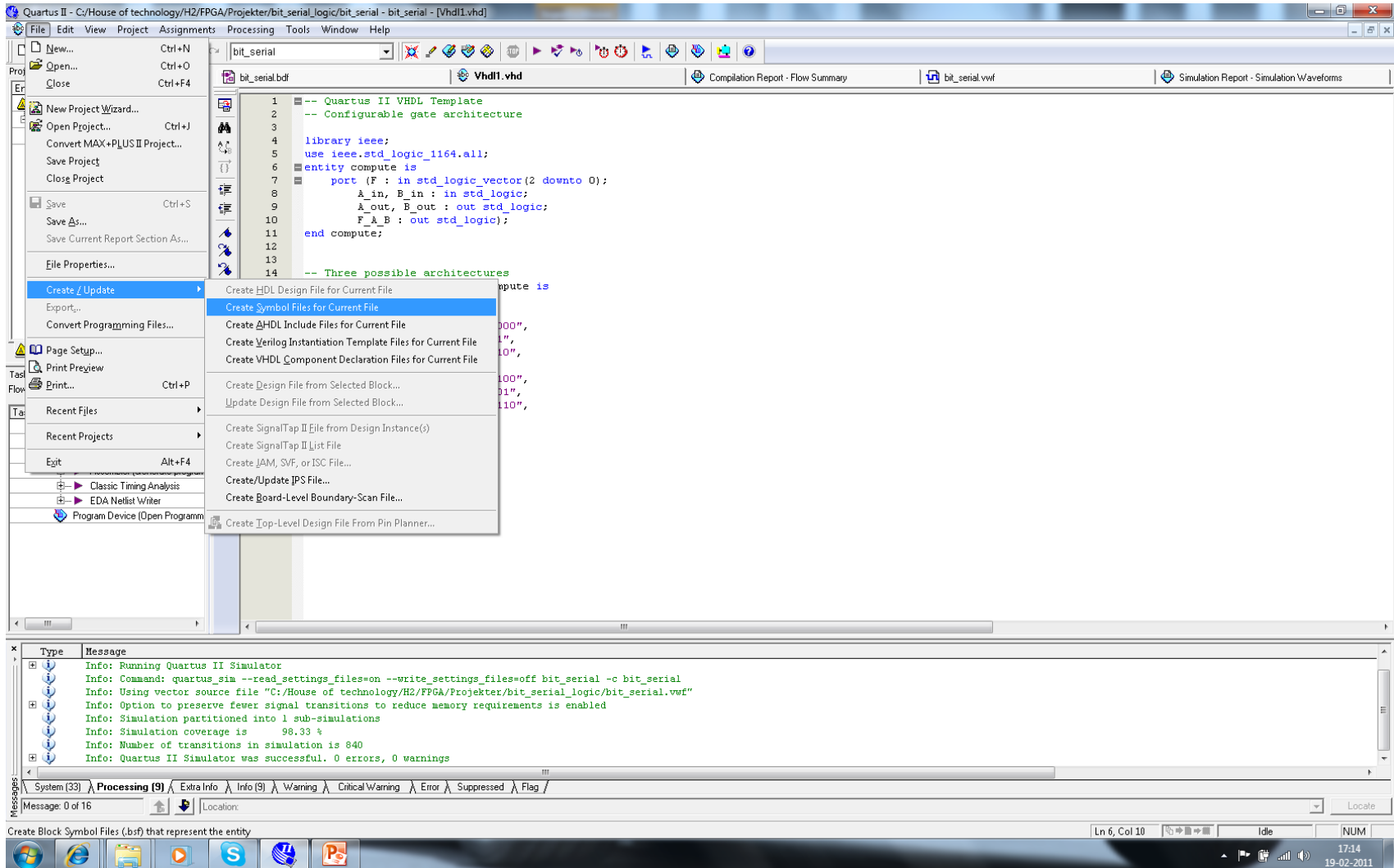
-- Quartus II VHDL Template
-- Configurable gate architecture

library ieee;
use ieee.std_logic_1164.all;
entity configurable_gate is
  port
  (
    i1 : in std_logic;
    i2 : in std_logic;
    o1 : out std_logic
  );
end configurable_gate;

-- Three possible architectures
architecture and_gate of configurable_gate is
begin
  o1 <= i1 AND i2;
end and_gate;

architecture or_gate of configurable_gate is
begin
  o1 <= i1 OR i2;
end or_gate;
  
```


VHDL ind i Schematic



The screenshot shows the Quartus II IDE interface. The main window displays a VHDL file named 'bit_serial.vhd' with the following code:

```

1  -- Quartus II VHDL Template
2  -- Configurable gate architecture
3
4  library ieee;
5  use ieee.std_logic_1164.all;
6  entity compute is
7      port ( F : in std_logic_vector(2 downto 0);
8            A_in, B_in : in std_logic;
9            A_out, B_out : out std_logic;
10           F_A_B : out std_logic);
11 end compute;
12
13
14 -- Three possible architectures

```

The 'File' menu is open, and the 'Create / Update' sub-menu is selected, showing options like 'Create HDL Design File for Current File', 'Create Symbol Files for Current File', etc.

The Message window at the bottom shows the following output:

```

Info: Running Quartus II Simulator
Info: Command: quartus_sim --read_settings_files=on --write_settings_files=off bit_serial -c bit_serial
Info: Using vector source file "C:/House of technology/H2/FPGA/Projekter/bit_serial_logic/bit_serial.vwf"
Info: Option to preserve fewer signal transitions to reduce memory requirements is enabled
Info: Simulation partitioned into 1 sub-simulations
Info: Simulation coverage is 98.33 %
Info: Number of transitions in simulation is 840
Info: Quartus II Simulator was successful. 0 errors, 0 warnings

```

Opgave

- Opgave 1 laves med VHDL!
- Lav 7 seg. med VHDL, et element for hvert segment.
- Lave 7 segment med Logic Friday!!
 - Link til www adr på Mars!

Compute kode

```
-- Quartus II VHDL Template
-- Configurable gate architecture

library ieee;
use ieee.std_logic_1164.all;
entity compute is
    port (F : in std_logic_vector(2 downto 0);
          A_in, B_in : in std_logic;
          A_out, B_out : out std_logic;
          F_A_B : out std_logic);
end compute;

-- Three possible architectures
architecture Behavioral of compute is
begin
with F select
F_A_B <= A_in and B_in when "000",
        A_in or B_in when "001",
        A_in xor B_in when "010",
        '1' when "011",
        A_in nand B_in when "100",
        A_in nor B_in when "101",
        A_in xnor B_in when "110",
        '0' when others;
A_out <= A_in;
B_out <= B_in;
end architecture Behavioral;
```

Opgave

- VHDL "Compute" kode analyseres?
- Hvordan virker den?

Tæller op og ned

```

• library IEEE;
• use IEEE.std_logic_1164.all;
• use IEEE.STD_LOGIC_ARITH.ALL;
• use IEEE.STD_LOGIC_UNSIGNED.ALL;

• entity up_down_counter is
• port (clk, enable, up_down : in std_logic;
•       synch_reset: in std_logic;
•       Q: out std_logic_vector(7 downto 0));
• end entity up_down_counter;

• architecture counter_behavior of up_down_counter is
• signal count:std_logic_vector(7 downto 0);
• begin
• process(clk, synch_reset) -- sensitivity list
•     begin
•         if(synch_reset='1') then count <= "00000000";
•         elsif (clk'event and clk='1') then
•             if (enable='1') then
•                 if (up_down='1') then count<=count+"0000001";
•                 else count<=count-"0000001";
•             end if;
•         end if;
•     end if;
•     Q<=count;
• end process;
• end architecture counter_behavior;

```

Opgave

- Analysere tælleren, hvordan virker den?