



Opgave 7

Real time DSP

2013
Lkaa



ones,
aily
is
35 e



Real time DSP

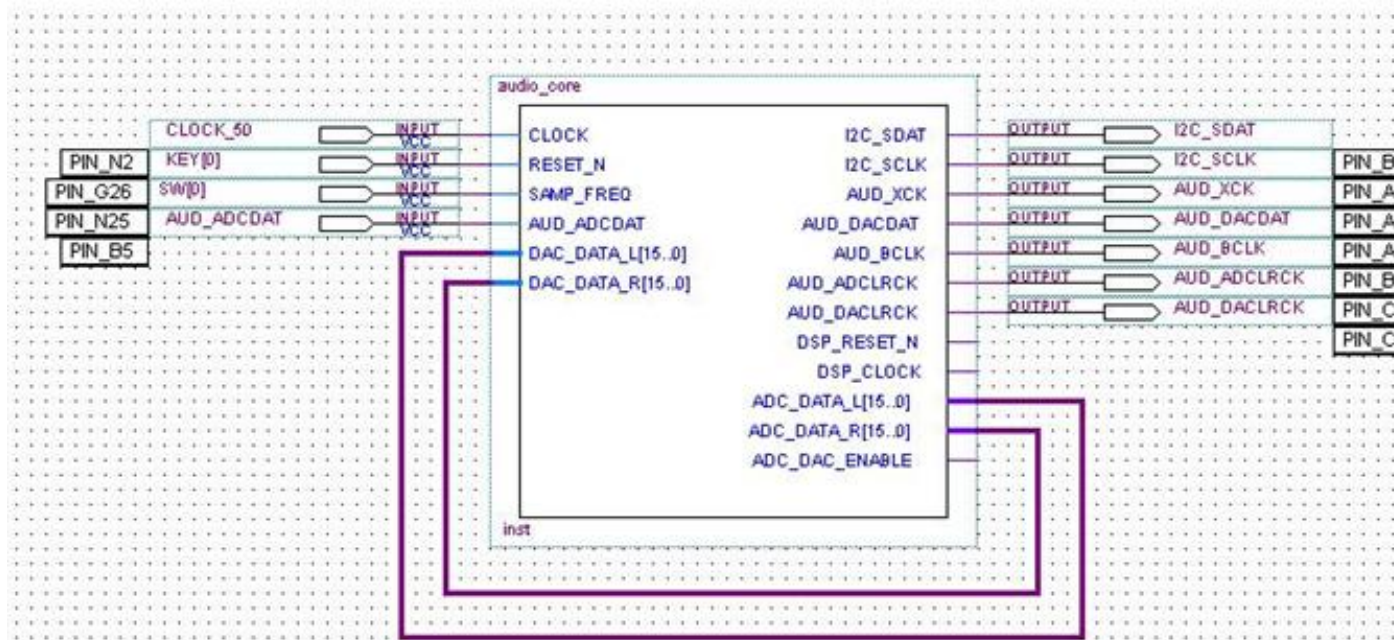


Figure 2 - Schematic Diagram of audio_core



Real time DSP

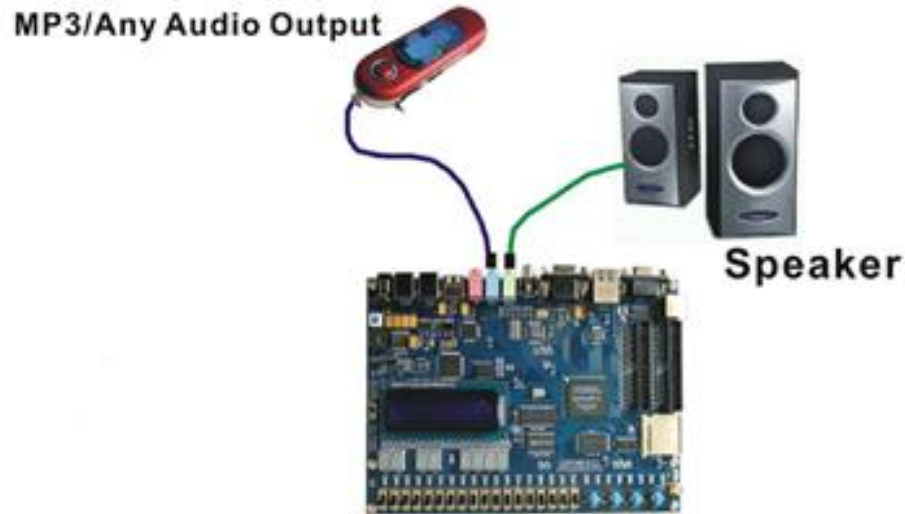
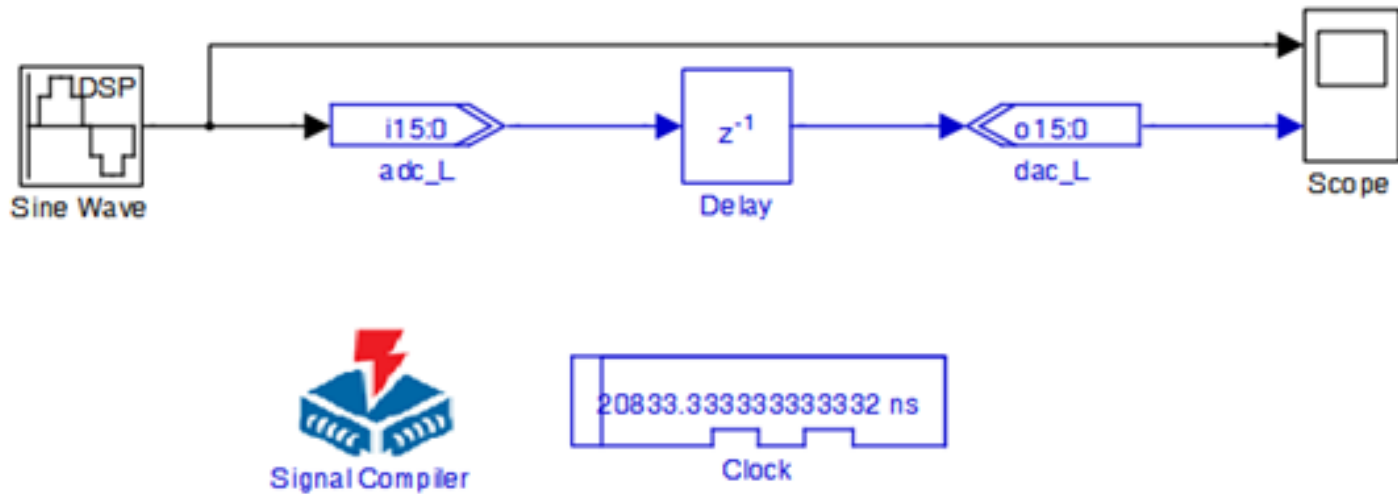


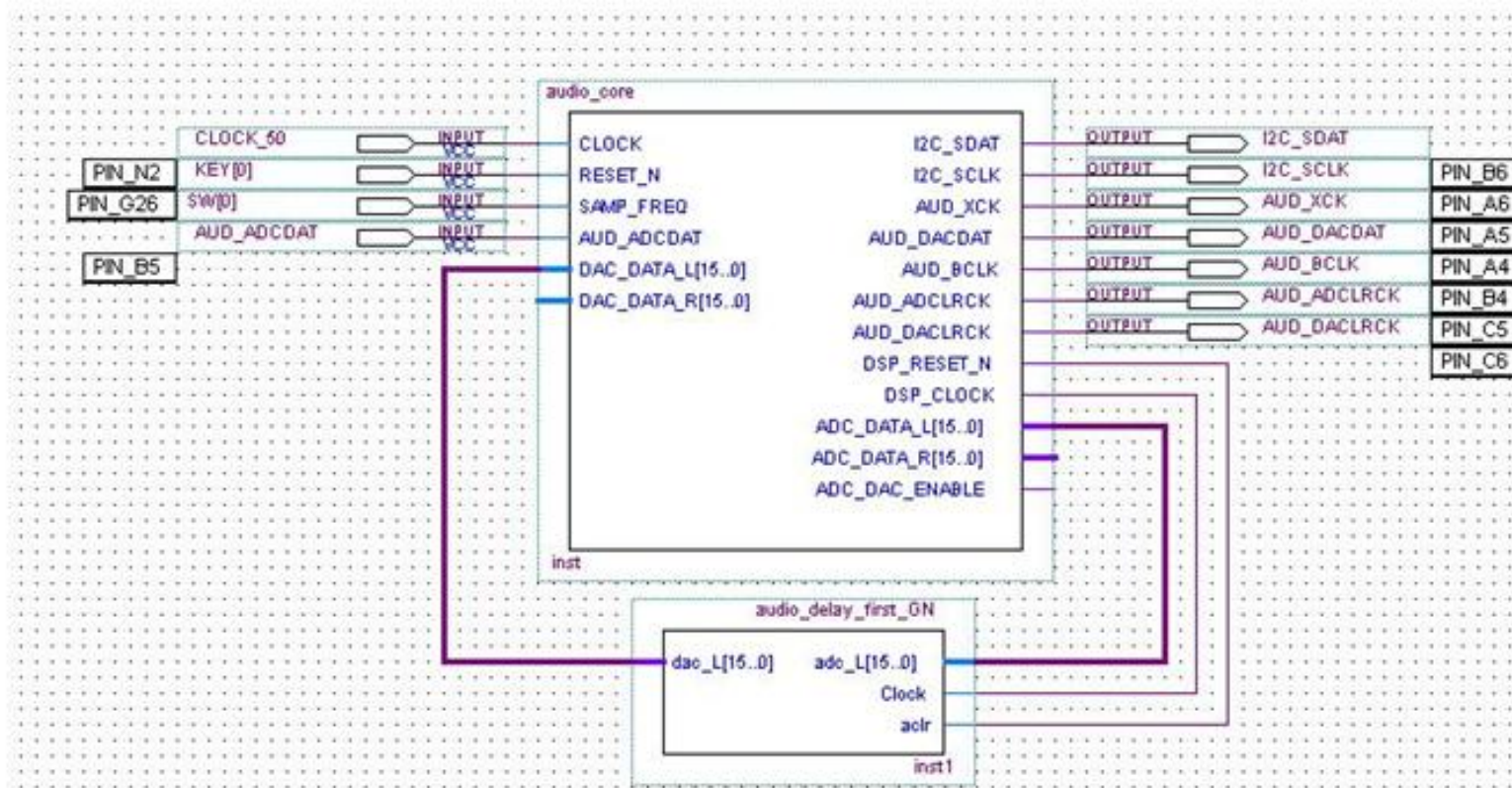
Figure 5 – Connecting LINE IN/OUT to External Audio Devices



Real time DSP



Real time DSP



Real time DSP

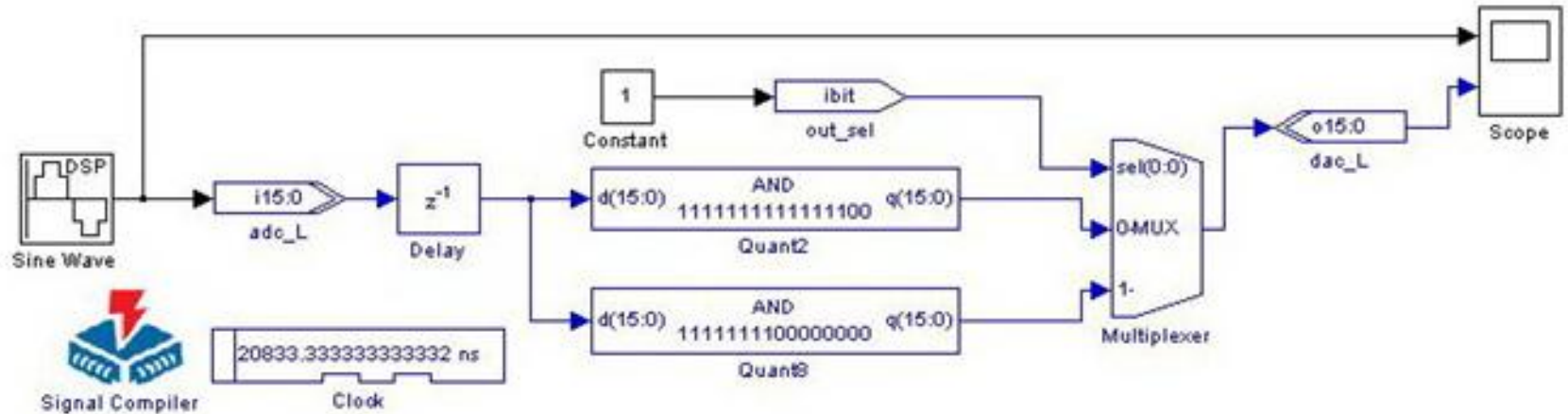
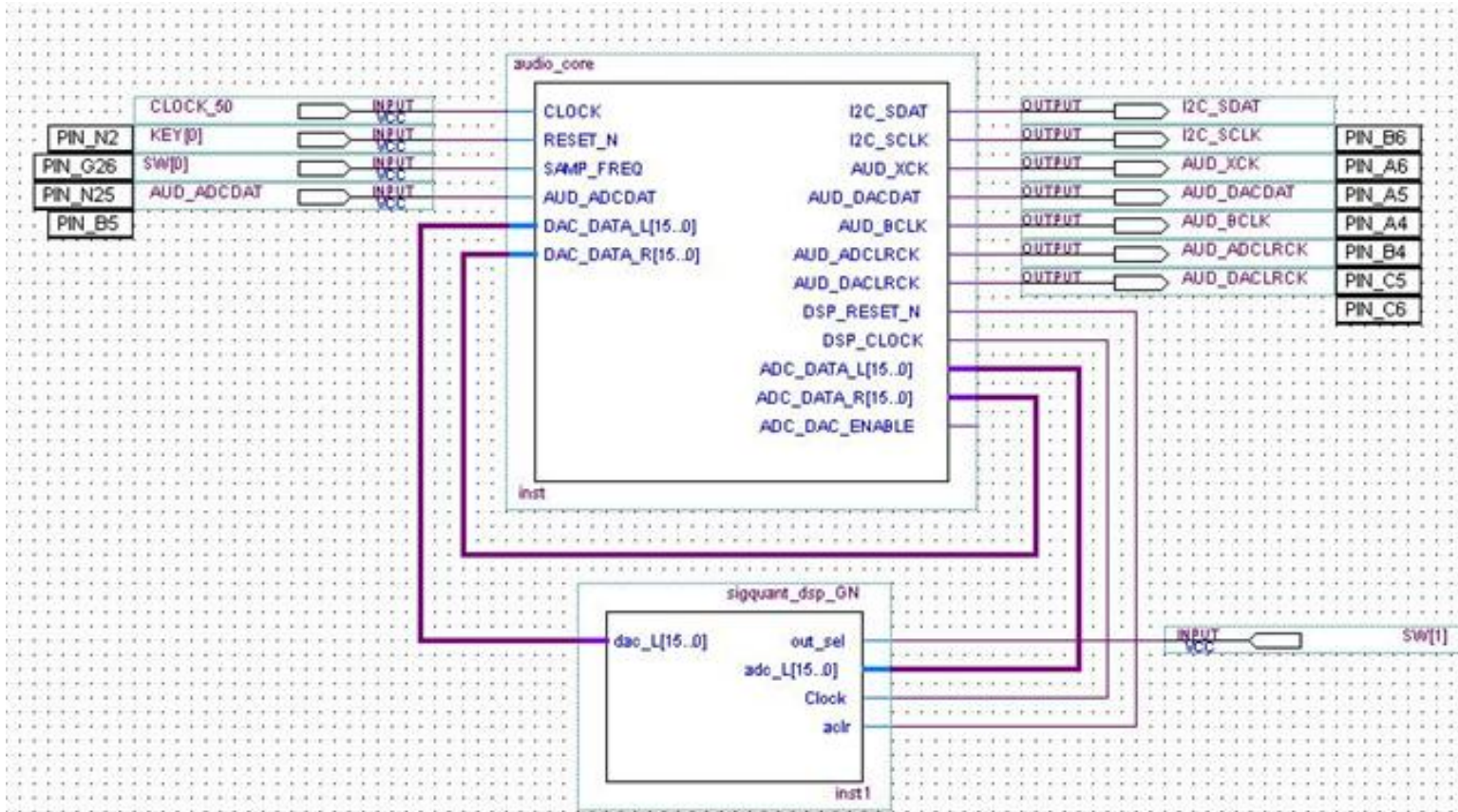


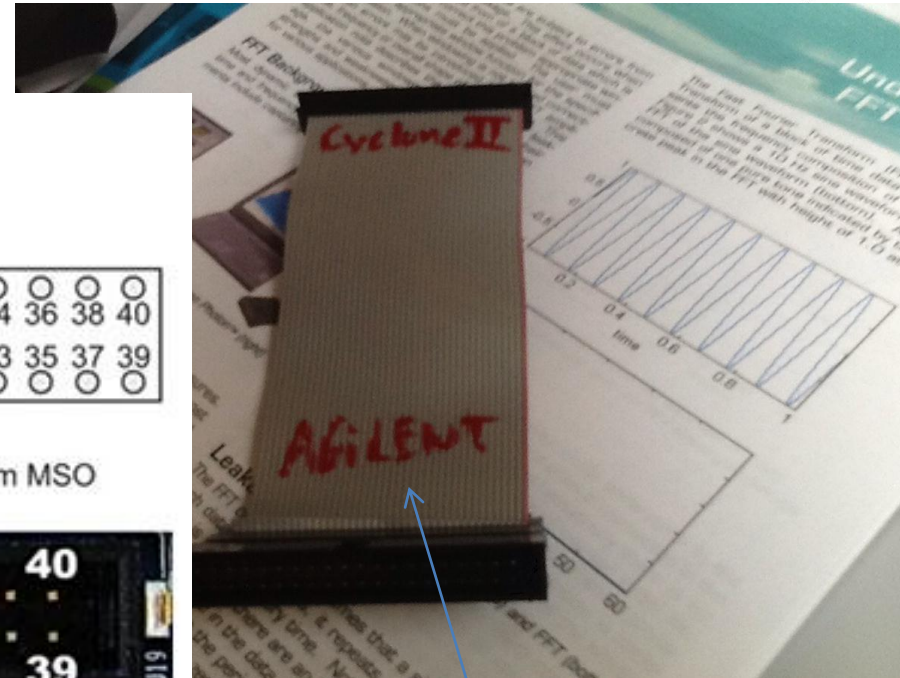
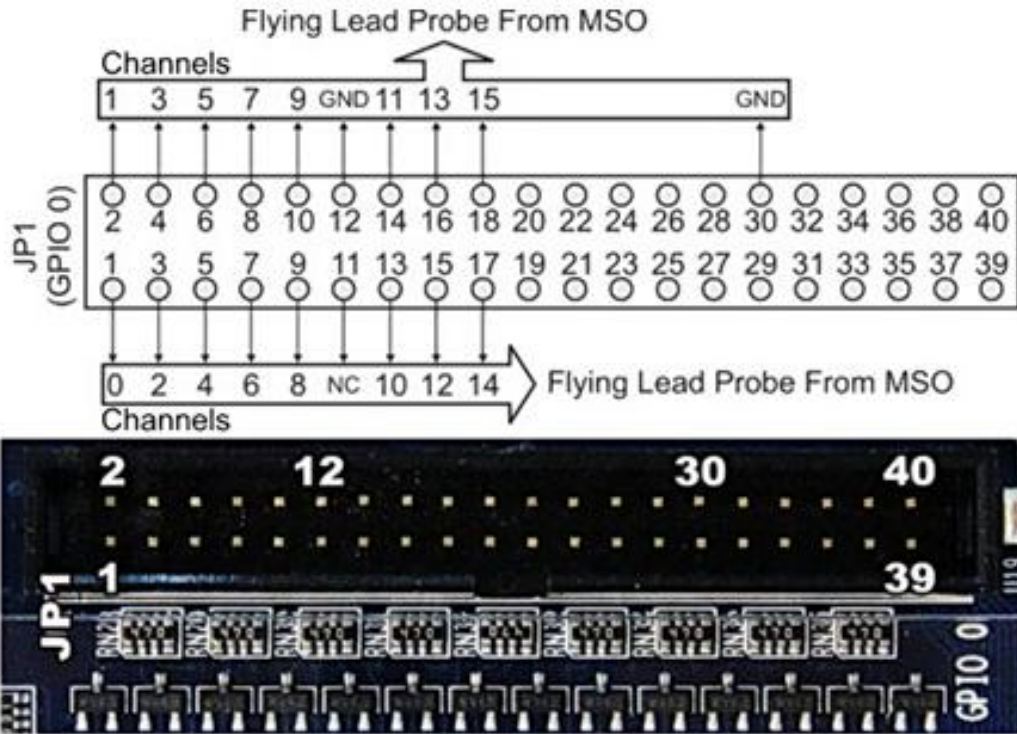
Figure 13 – Audio Signal Quantization Model



Real time DSP



Real time DSP



Brug dem på Scoperne!!!

Figure 16 – Connection Between MSO and DE2 Board



MATlab link

- <http://www.mathworks.se/videos/connecting-hardware-to-matlab-and-simulink-81976.html>

